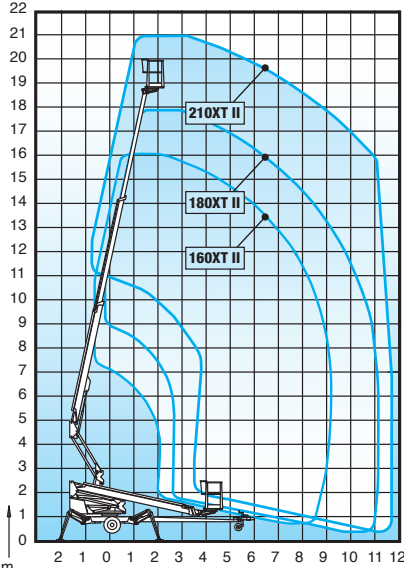




DINO Trailers



DINO 160XT II 180XT II 210XT II

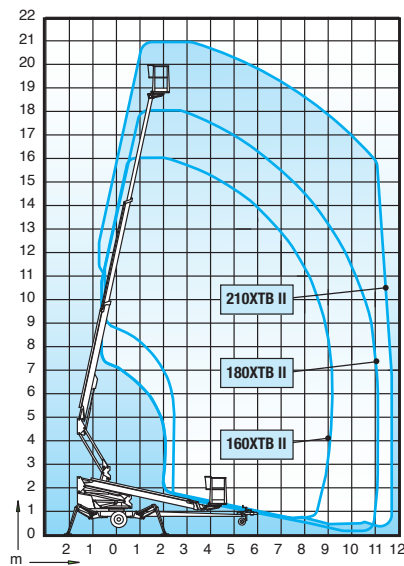


160XT II maximum outreach with 215 kg.
180XT II max. outreach with 120 kg and
210XT II with 80 kg.

	160XT II	180XT II	210XT II
Max. working height	16.00 m	18.00 m	21.00 m
Max. platform height	14.00 m	16.00 m	19.00 m
Max. outreach	9.10 m	11.20 m	11.70 m
Support width	3.80 / 4.20 m	3.90 / 4.30 m	3.90 / 4.30 m
Lifting capacity	215 kg	215 kg	215 kg
Basket size	0.70 x 1.30 m	0.70 x 1.30 m	0.70 x 1.30 m
Boom rotation	cont.	cont.	cont.
Basket rotation	180°	180°	180°
Boom control	proport.	proport.	proport.
Transport length	6.15 m	6.66 m	7.92 m
Transport width	1.80 m	1.95 m	1.95 m
Transport height	2.30 m	2.30 m	2.33 m
Weight	1990 kg	2315 kg	2475 kg
Driving system	std	std	std
AC socket in the basket x 2	std	std	std
Electro motor	std	std	std
Petrol power pack	opt.	opt.	std
Diesel power pack	opt.	opt.	opt.
Gradeability	25 %	25 %	25 %



DINO 160XTB II 180XTB II 210XTB II



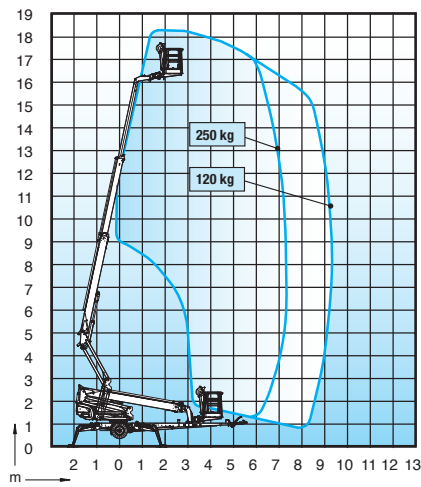
160XTB II maximum outreach with 215 kg.
180XTB II max. outreach with 120 kg and
210XTB II with 80 kg.

	160XTB II	180XTB II	210XTB II
Max. working height	16.00 m	18.00 m	21.00 m
Max. platform height	14.00 m	16.00 m	19.00 m
Max. outreach	9.10 m	11.20 m	11.70 m
Support width	3.80 / 4.20 m	3.90 / 4.30 m	3.90 / 4.30 m
Lifting capacity	215 kg	215 kg	215 kg
Basket size	0.70 x 1.30 m	0.70 x 1.30 m	0.70 x 1.30 m
Boom rotation	cont.	cont.	cont.
Basket rotation	180°	180°	180°
Boom control	proport.	proport.	proport.
Transport length	6.15 m	6.66 m	7.92 m
Transport width	1.80 m	1.95 m	1.95 m
Transport height	2.31 m	2.30 m	2.33 m
Weight	2195 kg	2380 kg	2610 kg
Driving system	std	std	std
AC socket in the basket x 2	std	std	std
Batteries 235 Ah	std	std	std
DC Motor	std	std	std
Gradeability	25 %	25 %	25 %

Battery powered trailers / XTB II -SERIES
DINO 160XTB II • DINO 180XTB II • DINO 210XTB II



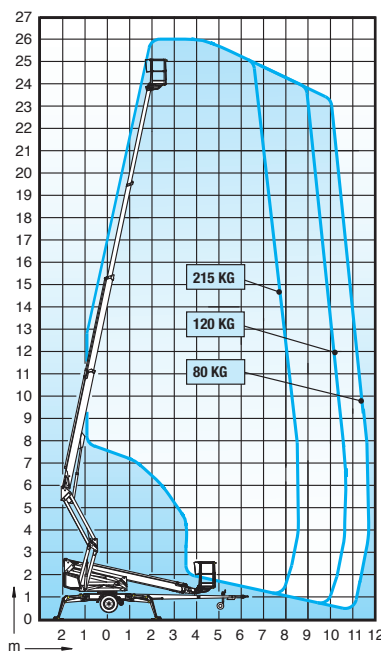
DINO 190XTE



Max. working height	18.40 m
Max. platform height	16.40 m
Max. outreach	7.3 m / 250 kg 9.3 m / 120 kg
Support width	3.9 / 4.3 m
Basket capacity	250 kg
Basket size	0.8 x 1.8 m
Boom rotation	continuous
Basket rotation	±180° hyd.
Boom control	proport.
Transport length	7.48 m
Transport width	1.95 m
Transport height	2.46 m
Weight	2400 kg
Power source	230 VAC 2.2 kW / Power pack 3.7 kW (option)
AC socket in the basket x 2	std
Basket load sensor	std
Automatic leveling	opt.
Gradeability	25 %



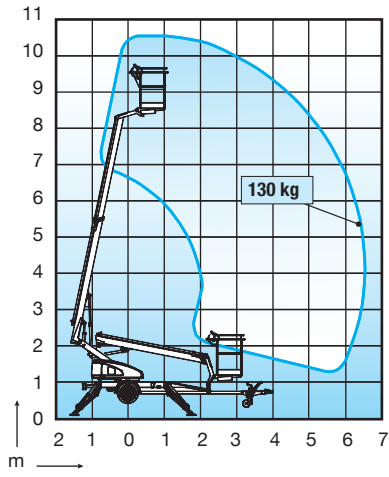
DINO 260XTD



Max. working height	26.00 m
Max. platform height	24.00 m
Max. outreach	11.70 m
Support width	4.40 / 4.85 m
Lifting capacity	215 kg
Basket size	0.70 x 1.30 m
Boom rotation	cont.
Basket rotation	90°
Boom control	proport.
Transport length	8.11 m
Transport width	2.05 m
Transport height	2.43 m
Weight	3495 kg
Driving system	std
AC socket in the basket x 2	std
Electro motor	std
Petrol power pack	std
Diesel power pack	opt.
Gradeability	25 %
Drive from the basket	std



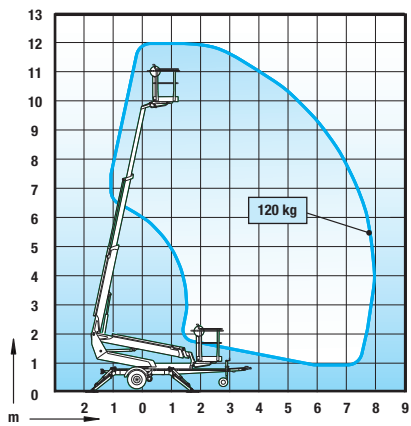
DINO 105TL



Max. working height	10.50 m
Max. platform height	8.50 m
Max. outreach	6.50 m
Support width	3.25 / 3.50 m
Lifting capacity	130 kg
Basket size	0.75 x 0.80 m
Boom rotation	+/- 355°
Boom control	2-speed
Transport length	5.43 m
Transport width	1.50 m
Transport height	1.99 m
Weight	950 kg
Driving system	optional
AC socket in the basket x 2	std
Electro motor	std



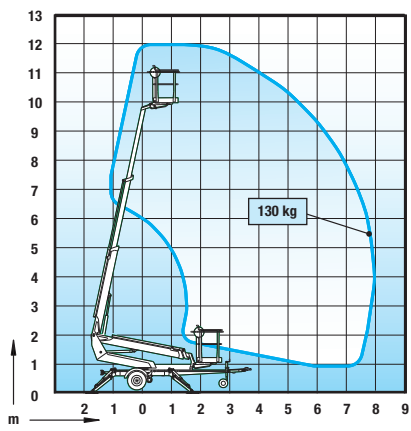
DINO 120T



Max. working height	12.00 m
Max. platform height	10.00 m
Max. outreach	7.90 m
Support width	3.15 / 3.55 m
Lifting capacity	120 kg
Basket size	0.75 x 0.80 m
Boom rotation	cont.
Boom control	2-speed
Transport length	5.52 m
Transport width	1.72 m
Transport height	1.96 m
Weight	1285 kg
Driving system	std
AC socket in the basket x 2	std
Electro motor	std
Petrol power pack	opt.
Gradeability	25 %



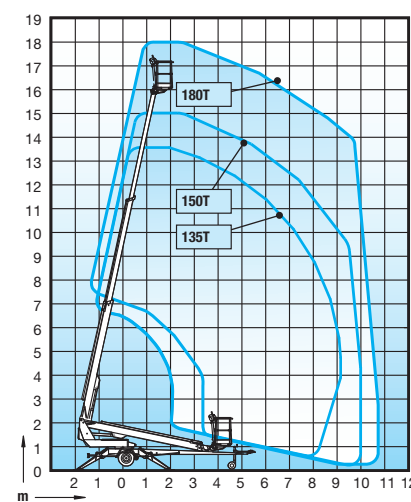
DINO 120TB



Max. working height	12.00 m
Max. platform height	10.00 m
Max. outreach	7.90 m
Support width	3.15 / 3.55 m
Lifting capacity	130 kg
Basket size	0.75 x 0.80 m
Boom rotation	cont.
Boom control	2-speed
Transport length	5.52 m
Transport width	1.72 m
Transport height	1.96 m
Weight	1390 kg
Driving system	std
AC socket in the basket x 2	std
Batteries 140 Ah	std
DC Motor	std
Gradeability	25 %



DINO 135T 150T 180T

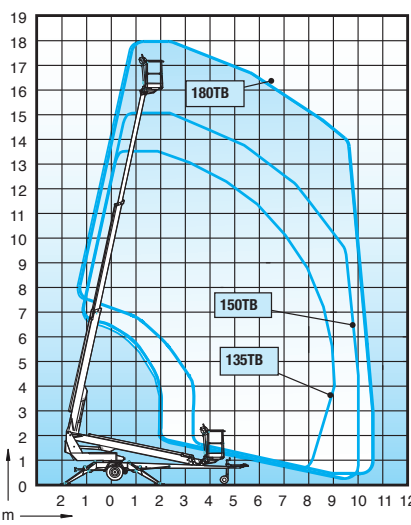


	135T	150T	180T
Max. working height	13.50 m	15.00 m	18.00 m
Max. platform height	11.50 m	13.00 m	16.00 m
Max. outreach	9.10 m	10.00 m	10.70 m
Support width	3.80 / 4.20 m	3.80 / 4.20 m	3.8 / 4.2 m
Lifting capacity	215 kg	215 kg	215 kg
Basket size	0.70 x 1.30 m	0.70 x 1.30 m	0.7 x 1.3 m
Boom rotation	cont.	cont.	cont.
Basket rotation	90°	90°	90°
Boom control	proport.	proport.	proport.
Transport length	5.96 m	6.53 m	7.46 m
Transport width	1.78 m	1.78 m	1.78 m
Transport height	2.16 m	2.24 m	2.19 m
Weight	1635 kg	1675 kg	1840 kg
Driving system	std	std	std
AC socket in the basket x 2	std	std	std
Electro motor	std	std	std
Petrol power pack	opt.	opt.	opt.
Gradeability	25 %	25 %	25 %

Maximum outreach with 80 kg.



DINO 135TB 150TB 180TB



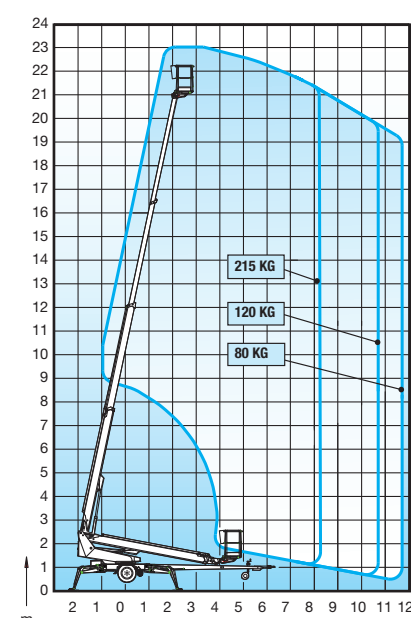
	135TB	150TB	180TB
Max. working height	13.50 m	15.00 m	18.00 m
Max. platform height	11.50 m	13.00 m	16.00 m
Max. outreach	9.10 m	10.00 m	10.70 m
Support width	3.80 / 4.20 m	3.80 / 4.20 m	3.80 / 4.20 m
Lifting capacity	215 kg	215 kg	215 kg
Basket size	0.70 x 1.30 m	0.70 x 1.30 m	0.70 x 1.30 m
Boom rotation	cont.	cont.	cont.
Basket rotation	90°	90°	90°
Boom control	proport.	proport.	proport.
Transport length	5.93 m	6.50 m	7.42 m
Transport width	1.78 m	1.78 m	1.78 m
Transport height	2.16 m	2.24 m	2.19 m
Weight	1765 kg	1835 kg	1945 kg
Driving system	std	std	std
AC socket in the basket x 2	std	std	std
Batteries 235 Ah	std	std	std
DC Motor	std	std	std
Gradeability	25 %	25 %	25 %

Maximum outreach with 80 kg.

Battery powered trailers / TB -SERIES
DINO 135TB • DINO 150TB • DINO 180TB



DINO 230T



Max. working height	23.00 m
Max. platform height	21.00 m
Max. outreach	4.40 / 4.85 m
Support width	4.40 / 4.85 m
Lifting capacity	215 kg
Basket size	0.70 x 1.30 m
Boom rotation	cont.
Basket rotation	90°
Boom control	proport.
Transport length	8.15 m
Transport width	2.05 m
Transport height	2.24 m
Weight	2960 kg
Driving system	std
AC socket in the basket x 2	std
Electro motor	std
Generator pack	std
Gradeability	25 %

